



VIBRO SIEVE

ALTINBILEK Vibro Sieves separate the dosed raw materials or pelleted products by passing them through the sieve surfaces with the help of vibration, in accordance with the grain size, and clean the incoming raw material and unwanted particle size foreign materials that may come in the pellet. Altinbilek Vibro Sieves are produced in a wide range of capacities depending on the needs. When used for sifting dosed raw materials, the crushing performance of the mills increases and provides high energy savings, as the amount of raw material to enter the grinding system decreases thanks to its high screening performance. Thanks to the superior screening performance of Altinbilek Vibro Sieves used after pelletizing systems, powder-free pellet storage and spread is provided. In the input module of the vibro sieve, there is a distributor that ensures that the raw materials and products are distributed evenly on the sieve surfaces. Sieve holes are designed with high permeability rates and plastic whisking rings are used to prevent clogging of pores. The oscillation of the sieve body with the help of the vibro motor is provided on specially designed springs. By adjusting the positions of the eccentric hammers in the vibro motor, the intensity of vibration can be controlled in accordance with the products to be screened.

FEATURES

- Low Energy and High Sifting Capacity
- Superior Transmittance Rate
- Balanced Sifting
- Bolt Combined Modular Structure
- Effective Powder Sealing Elements
- Quick and Easy Sieve Replacement
- Easy Use and Maintenance

DRIVE SYSTEM

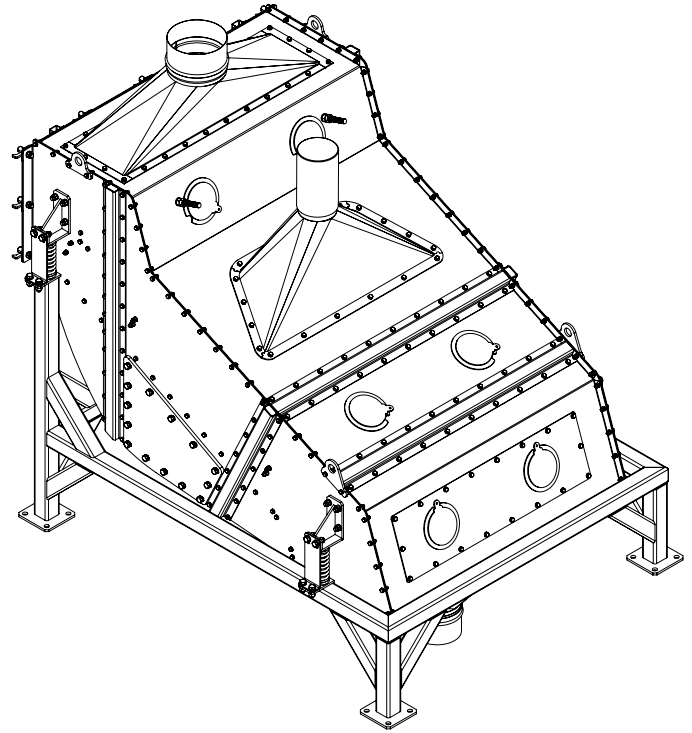
- Vibro Motor

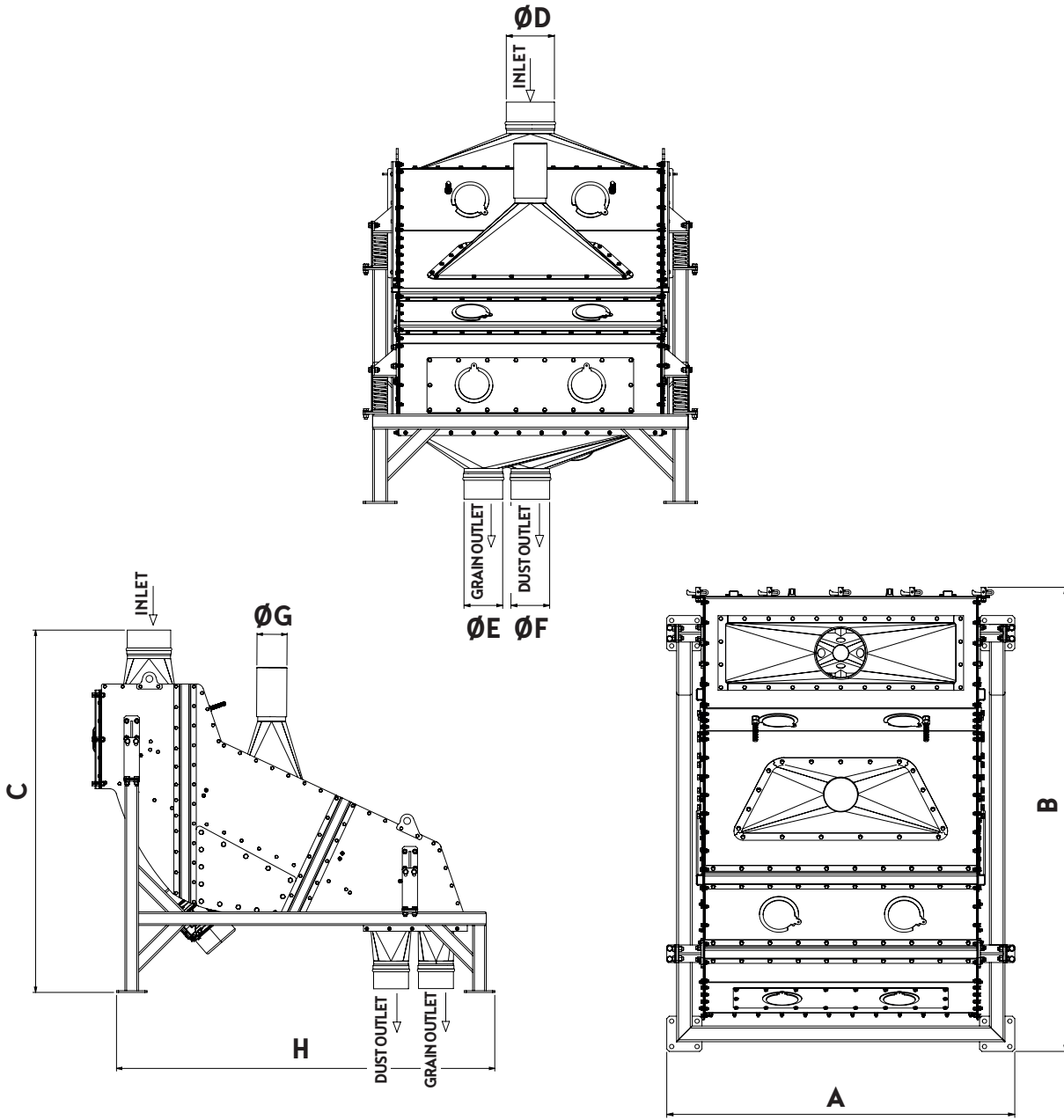
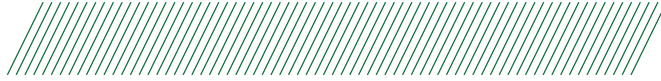
SECURITY SYSTEM

- Safety Sensor on Covers
- Anti-oscillation Fixing Apparatus During Transport

ACCESSORIES

- Air Discharge Chimney
- Sieve Stretching Device
- Oscillation Springs
- Sampling Apparatus
- Easy to Open Maintenance and Intervention Cover
- Additional Vibration Absorber Chassis and Spring System (Optional)





Type	Motor Power (kW x Qty.)	Screen Area (m ²)	Dimensions (mm)							
			A	B	C	D	E	F	G	H
VET02	0,35 x 2	0,8	1.165	1.985	1.190	-	242 x	140	-	1.065
VET05	0,55 x 1	1,85	1.535	2.065	1.490	215	215	214	-	1.630
VET15	0,64 x 2	1,85	1.550	1.950	2.130	255	255	256	177	1.950
VET20	0,70 x 2	2,4	1.780	2.375	2.140	255	205	205	180	2.230
VET30	1,98 x 2	5	1.940	2.860	2.945	325	265	265	204	2.680

The designs and dimensions may be modified without notice.