



## LOADING BELLOW

**ALTINBILEK Loading Bellow**, ensures that products such as grain, flour, feed, cement, chemical products, etc. are filled in a dust-free and safe way into silo tanker, truck, and vessel. As the product fills the silo tanker, truck, or vessel, the length of the bellow gradually shortens by means of mechanical sensors and the product overflow is prevented.

## FEATURES

- Bolted Joint
- Easy-to-assemble Body Structure, and Maximum Endurance
- Easy Intervention and Maintenance thanks to Access Covers
- Movement Management via Mechanical Switches
- Long Life Cycle via Replaceable Cartridge Filter

## ACCESSORIES

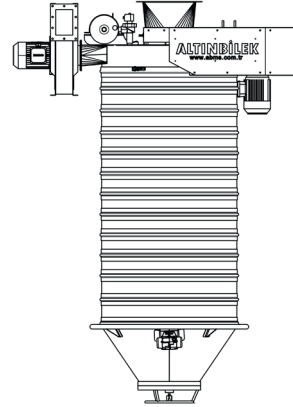
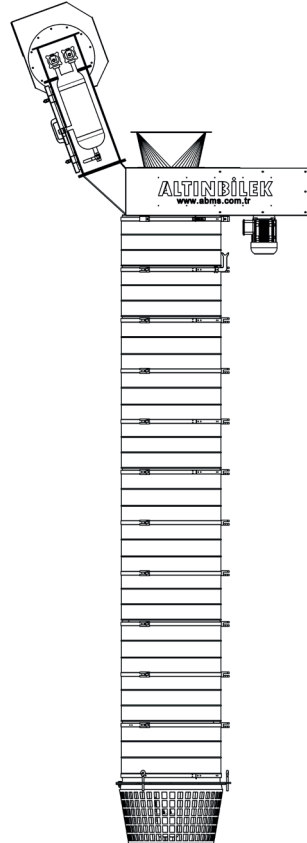
- Control Windows
- Inspection Hatches
- Wireless Remote Controller (Optional)

## TECHNICAL SPECIFICATIONS

Maximum Capacity	400m <sup>3</sup> /h
Product Outlet Module	Need-based Poring Module
Sound Level	70-85 dB
Drive System	Electric Motor
Operating Conditions	-15°C ÷ +40°C ambient temperature

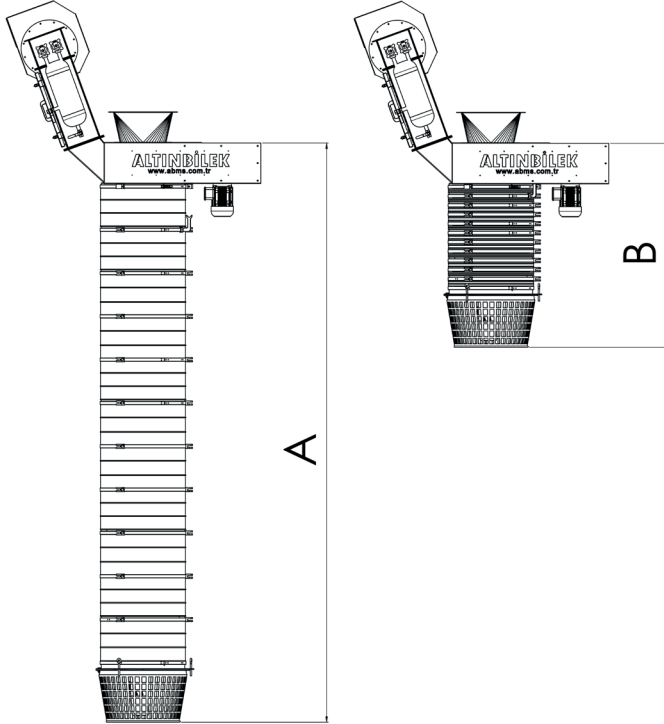
## MATERIALS

Body&Bucket&Pouring	Standard	Painted (Carbon Steel)
	Optional	Stainless Steel Galvanized Steel Hot Dipped Galvanized Coating
Canvas	Standard	Polyester DIN EN ISO 2076
	Optional	Antistatic Canvas





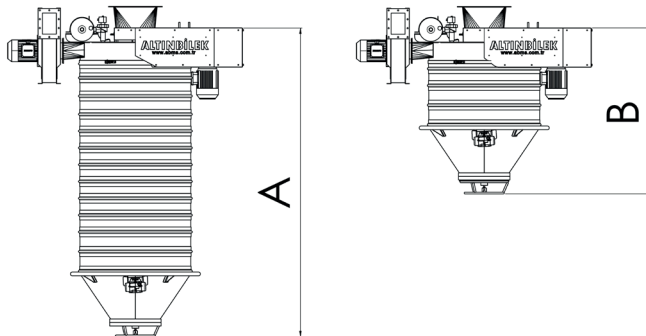
## LOADING BELLOW



FLATBED TRUCK LOADING BELLOW



NUMBER OF MODULES	HEIGHT WHEN OPENED (A)	HEIGHT WHEN CLOSED (B)
8	3165 mm	1237 mm
9	3471 mm	1302 mm
10	3777 mm	1367 mm
11	4083 mm	1432 mm
12	4389 mm	1497 mm
13	4695 mm	1562 mm
14	5000 mm	1627 mm



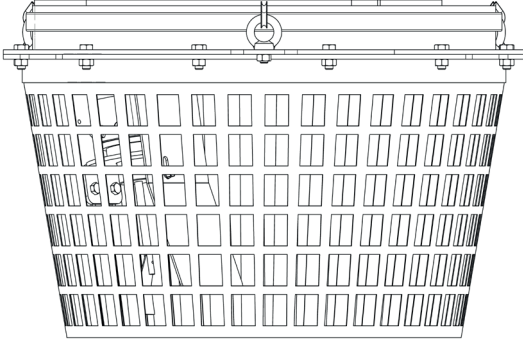
SILO TANKER LOADING BELLOW



NUMBER OF MODULES	HEIGHT WHEN OPENED (A)	HEIGHT WHEN CLOSED (B)
3	1840 mm	980 mm
4	2200 mm	1200 mm
5	2560 mm	1420 mm

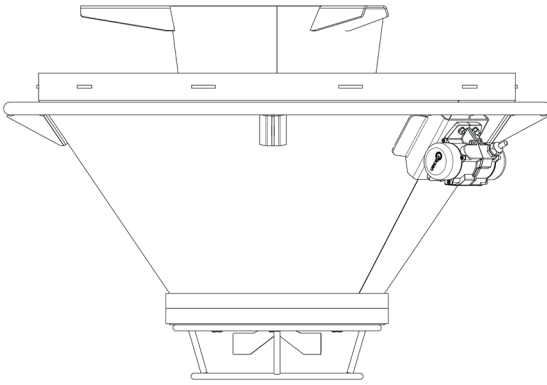


## LOADING BELLOW



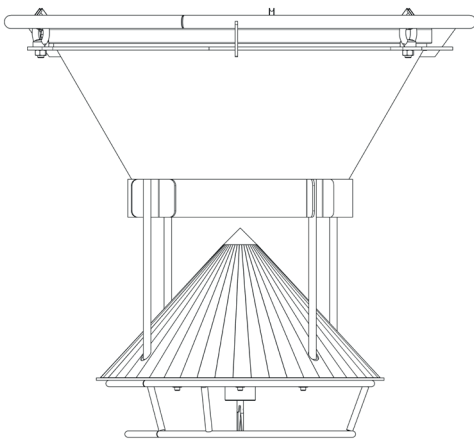
### FLATBED TRUCK LOAD POURING MODULE

- Standard



### SILO TANKER LOAD POURING MODULE

- Standard
- Vibration Motor Included



### FLATBED TRUCK AND SILO TANKER LOAD POURING MODULE

- Suitable for both loading types.
- Product level sensor is optional.