



BUCKET ELEVATOR DAE150-200-250

DAE150-200-250

ALTINBILEK Self-Cleaning Bucket Elevator is designed for upward transport of powder and grain products in an undamaged manner. With its round shaped adjustable bottom boot, it minimizes the mixing of the transported products and provides upward transport. The distance between the buckets and the bottom can be adjusted quickly, easily, and precisely. This prevents material accumulation at the bottom. It is ideal for the grain, pulse, and feed industries.

It has a completely closed and impermeable structure. It consists of an upper boot where feeding is made, a vertical tubing, and a lower boot.

FEATURES

- Rubber Coated Driving Drum
- Mechanical Bucket Lock
- Screwed Belt Tensioning System
- Feeding from Both Sides
- Replaceable Wear Plates on Product Contact Surfaces
- Impermeable Shaft Seals
- Heavy Duty Block Bearings
- Articulated Upper Boot for Maintenance

DRIVE SYSTEM

- Mountable Drive System at Right or Left
- Power Transmission with Belt-Pulley Connection (Standard)
- Reducer Motor Hollow Shaft (Optional)
- Reducer Motor Full Shaft and Coupling (Optional)

SECURITY SYSTEM

- Speed Sensor (Standard)
- Upper Boot Blast Chimney Sensor (Standard)
- Tube Explosion Caps (Standard)
- Belt Slide Sensor (Optional)
- Roller Heat Detection Sensor (Optional)
- Roller Pulse Detection Sensor (Optional)

ACCESSORIES

- Maintenance, Inspection, and Cleaning Covers
- Inlet Module
- Outlet Module
- Transparent Observation Hatch
- Grid Lower Boot Drum (Optional)
- Plate Magnet at the Feeding Section (Optional)
- Local Filter at the Tube Section (Optional)

TECHNICAL SPECIFICATIONS

Machine	DAE150	DAE200	DAE250
Maximum Capacity	195m ³ /h	285m ³ /h	325m ³ /h
Maximum Belt Speed	3.20m/s	3.60m/s	3.60m/s
Drive System	According to the application		
Sound Level	70-85 dB		
Operating Conditions	-15°C ÷ 40°C ambient temperature		

MATERIALS

Body	Standard	Galvanized Steel and Hot Dipped Galvanized Coating
	Optional	Stainless Painted (Carbon Steel)
Wear Plates	Standard	Plastic
	Optional	Hardox
Belt	Standard	Antistatic
	Optional	Antistatic Nitril (Oil Resistant)
		Food Compliant (FDA Approved)
Bucket	Standard	Plastic (TAPCO)
	Optional	Steel Stainless Steel

COMPATIBILITY

ATEX	Standard	Out of Zone
	Optional	Zone 22 - 21

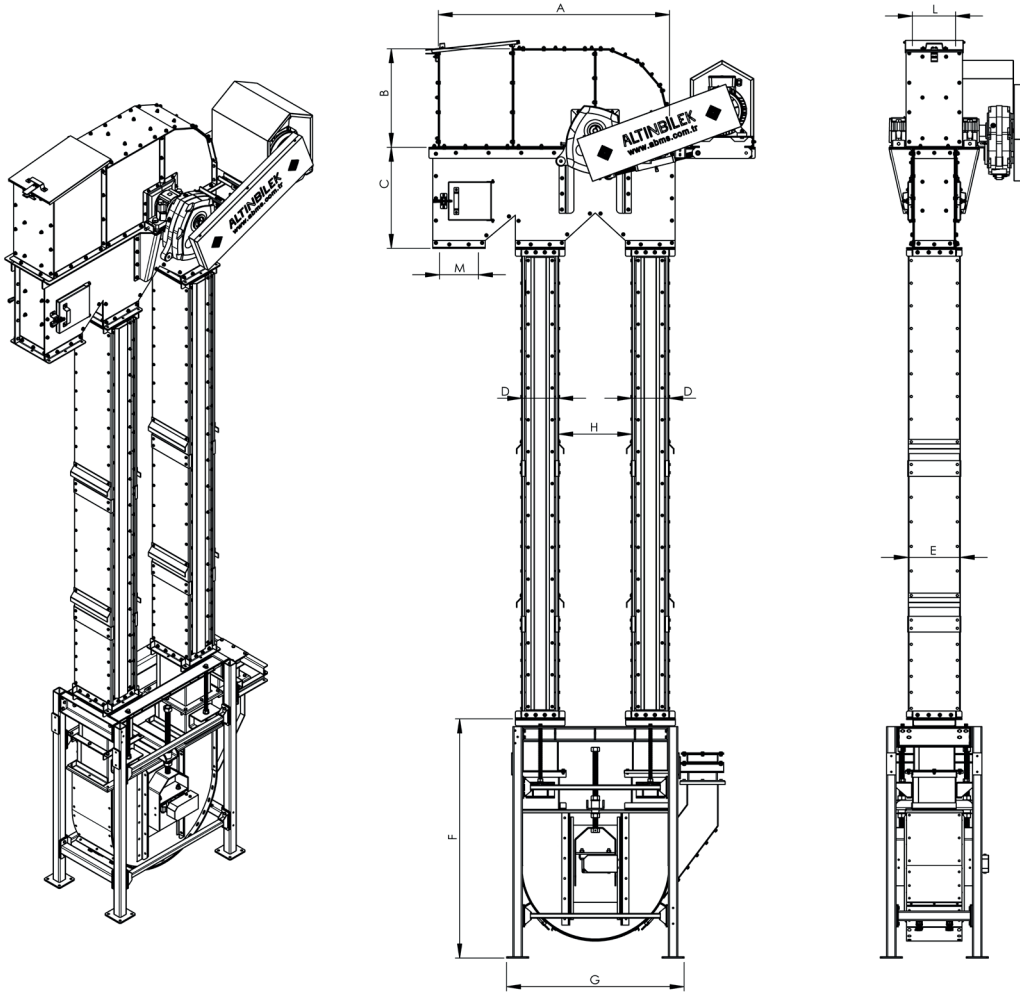
NOTE: ATEX compatibility requires special requirements.



BUCKET ELEVATOR

DAE150-200-250

DAE150-200-250



MODEL	A(mm)	B(mm)	C(mm)	D(mm)	E(mm)	F(mm)	G(mm)	H(mm)	L(mm)	M(mm)
DAE150	1855	1055	800	295	420	1810	1495	650	375	357x302
DAE200	2415	1140	1125	300	510	1910	1720	860	460	442x452
DAE250	2415	1140	1125	300	563	1910	1720	860	510	429x452

Designs and dimensions are subject to change without notice.