



BUCKET ELEVATOR E10-25-30

E10-25-30

ALTIMBİLEK Bucket Elevator is designed for upward transport of powder and grain products in an undamaged manner. It has a completely closed and impermeable structure. It consists of an upper boot where feeding is made, a vertical tubing, and a lower boot.

FEATURES

- Rubber Coated Driving Drum
- Mechanical Bucket Lock
- Screwed Belt Tensioning System
- Feeding from Both Sides
- Replaceable Wear Plates on Product Contact Surfaces
- Impermeable Shaft Seals
- Heavy Duty Block Bearings
- Articulated Upper Boot for Maintenance

DRIVE SYSTEM

- Mountable Drive System at Right or Left
- Power Transmission with Belt-Pulley Connection (Standard)
- Hollow shaft for reducer motor (Optional)
- Full shaft for reducer motor and Coupling (Optional)

SECURITY SYSTEM

- Speed Sensor (Standard)
- Upper Boot Blast Chimney (Standard)
- Tube Explosion Caps (Standard)
- Belt Slide Sensor (Optional)
- Roller Heat Detection Sensor (Optional)
- Roller Pulse Detection Sensor (Optional)

ACCESSORIES

- Easy to Open Maintenance, Inspection, and Cleaning Covers
- Inlet Module
- Outlet Module
- Grid Lower Boot Drum (Optional)
- Plate Magnet at the Feeding Section (Optional)
- Local Filter at the Tube Section (Optional)
- Transparent Observation Hatch (Standard)

TECHNICAL SPECIFICATIONS

Machine	E10	E25	E30
Maximum Capacity	15m ³ /h	35m ³ /h	45m ³ /h
Maximum Belt Speed	2.00m/s	2.20m/s	2.20m/s
Drive System	According to the application		
Sound Level	70-85 dB		
Operating Conditions	-15°C ÷ 40°C ambient temperature		

MATERIALS

Body	Standard	Galvanized Steel and Hot Dipped Galvanized Coating
	Optional	Stainless Painted (Carbon Steel)
Wear Plates	Standard	Plastic
	Optional	Hardox
Belt	Standard	Antistatic
	Optional	Antistatic Nitril (Oil Resistant) Food Compliant (FDA Approved)
Bucket	Standard	Plastic (TAPCO)
	Optional	Steel Stainless Steel

COMPATIBILITY

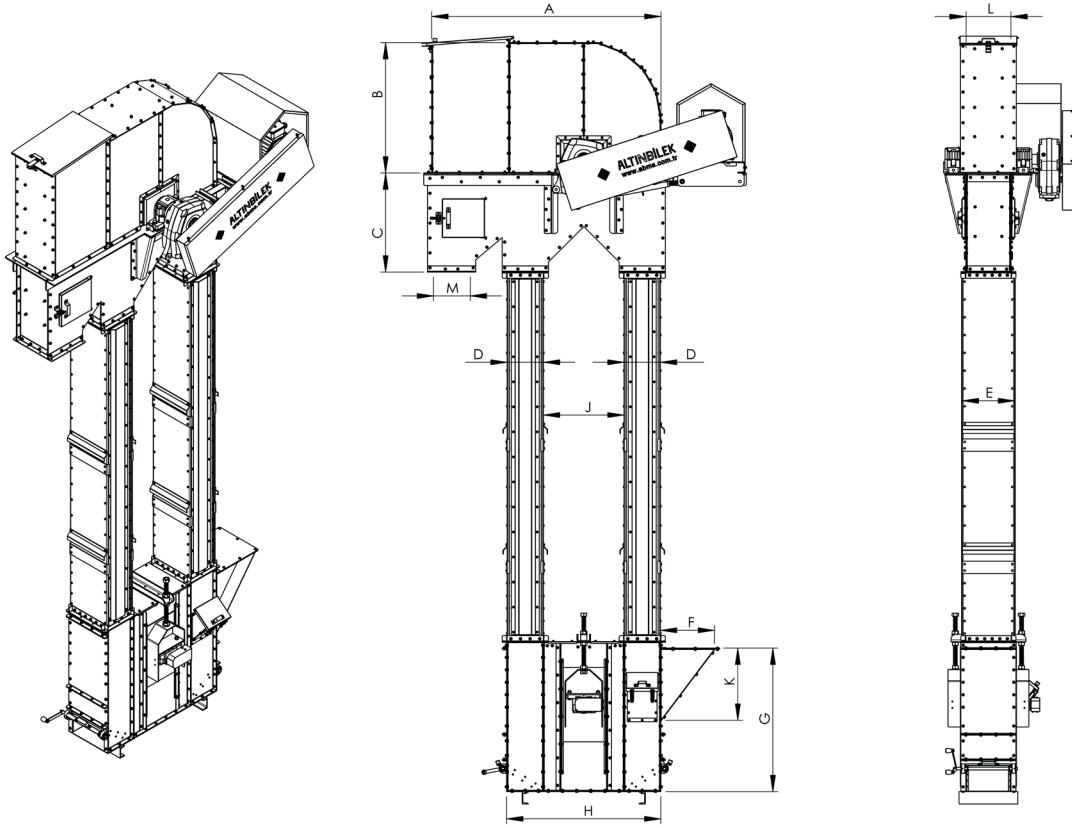
ATEX	Standard	Out of Zone
	Optional	Zone 22 - 21

NOTE: ATEX compatibility requires special requirements.



BUCKET ELEVATOR E10-25-30

E10-25-30



MODEL	A(mm)	B(mm)	C(mm)	D(mm)	E(mm)	F(mm)	G(mm)	H(mm)	J(mm)	K(mm)	L(mm)	M(mm)
E10	1095	415	435	190	185	210	630	685	230	375	190	211x179
E25	1280	515	635	215	305	285	780	795	360	405	250	237x231
E30	1280	515	635	215	305	285	780	795	360	405	250	237x231

Designs and dimensions are subject to change without notice.