



SILO DISCHARGER

ALTINBILEK Silo Dischargers are used in depots on a free circulation, in a way to discharge the product (flour, wheat, bran etc.) from the depot very easily. The outlet, which is connected to the main body by joints, is driven by a vibro motor and thus vibrated. Due to this vibration, the material in the depot flows easily and is discharged on the screw or conveyor.

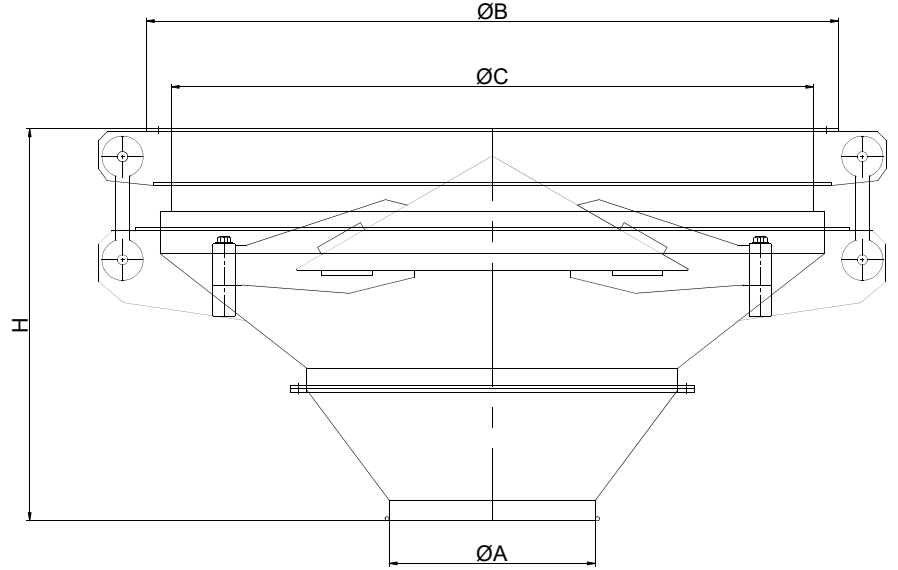
It is used in flour, semolina, pasta factories and feed industry as well as other similar industrial facilities. We can design and manufacture silo dischargers specific to various requirements, apart from standard models.

FEATURES

- Maximum Endurance and Long Life-cycle
- High Productivity, Low Energy Consumption
- Provides Homogeneously Mixed Flow
- Minimum Height
- Noiseless Operation
- Ease of repair and maintenance
- Excellent Permeability

DRIVE SYSTEM

- Vibro Motor



MODELS (FLOUR)	A (mm)	B (mm)	C (mm)	H (mm)	MOTOR POWER	WEIGHT (kg)
MUSB100/30	Ø300	Ø1090	Ø958	540	0,20 kW	180
MUSB130/30	Ø300	Ø1390	Ø1258	710	0,35 kW	290
MUSB130/50	Ø500	Ø1390	Ø1258	561	0,35 kW	290
MUSB160/30	Ø300	Ø1690	Ø1558	860	0,35 kW	420
MUSB160/50	Ø500	Ø1690	Ø1558	712	0,35 kW	420
MUSB200/30	Ø300	Ø2090	Ø1958	1158	0,525 kW	640
MUSB200/50	Ø500	Ø2090	Ø1958	1007	0,525 kW	640

MODELS (BRAN)	A (mm)	B (mm)	C (mm)	H (mm)	MOTOR POWER	WEIGHT (kg)
MUSB100/30	Ø300	Ø1090	Ø958	770	0,20 kW	180
MUSB130/30	Ø300	Ø1390	Ø1258	960	0,35 kW	290
MUSB130/50	Ø500	Ø1390	Ø1258	832	0,35 kW	290
MUSB160/30	Ø300	Ø1690	Ø1558	1200	0,35 kW	420
MUSB160/50	Ø500	Ø1690	Ø1558	1100	0,35 kW	420
MUSB200/30	Ø300	Ø2090	Ø1958	1471	0,525 kW	640
MUSB200/50	Ø500	Ø2090	Ø1958	1007	0,525 kW	640

Designs and dimensions are subject to change without notice.