

## BUCKET ELEVATOR E300-350-400

## E300-350-400

**ALTINBILEK Bucket Elevator** is designed for upward transport of powder and grain products in an undamaged manner. It has a completely closed and impermeable structure. It consists of an upper boot where feeding is made, a vertical tubing, and a lower boot.

### FEATURES

- Rubber Coated Driving Drum
- Mechanical Bucket Lock
- Screwed Belt Tensioning System
- Feeding from Both Sides
- Replaceable Wear Plates on Product Contact Surfaces
- Impermeable Shaft Seals
- Heavy Duty Block Bearings
- Articulated Upper Boot for Maintenance

### DRIVE SYSTEM

- Mountable Drive System at Right or Left
- Power Transmission with Belt-Pulley Connection (Standard)
- Hollow shaft for reducer motor (Optional)
- Full shaft for reducer motor and Coupling (Optional)
- Industrial Reducer with Auxiliary Drive (Optional)

### SECURITY SYSTEM

- Speed Sensor (Standard)
- Upper Boot Blast Chimney (Standard)
- Tube Explosion Caps (Standard)
- Belt Slide Sensor (Optional)
- Roller Heat Detection Sensor (Optional)
- Roller Pulse Detection Sensor (Optional)

### ACCESSORIES

- Easy to Open Maintenance, Inspection, and Cleaning Covers
- Inlet Module
- Outlet Module
- Grid Lower Boot Drum (Optional)
- Plate Magnet at the Feeding Section (Optional)
- Local Filter at the Tube Section (Optional)
- Transparent Observation Hatch (Standard)

### TECHNICAL SPECIFICATIONS

Machine	E300	E350	E400
Maximum Capacity	395m <sup>3</sup> /h	470m <sup>3</sup> /h	520m <sup>3</sup> /h
Maximum Belt Speed	3.60m/s	3.60m/s	3.60m/s
Drive System	According to the application		
Sound Level	70-85 dB		
Operating Conditions	-15°C ÷ 40°C ambient temperature		

### MATERIALS

Body	Standard	Galvanized Steel and Hot Dipped Galvanized Coating
	Optional	Stainless Painted (Carbon Steel)
Wear Plates	Standard	Plastic
	Optional	Hardox
Belt	Standard	Antistatic
	Optional	Antistatic Nitril (Oil Resistant) Food Compliant (FDA Approved)
Bucket	Standard	Plastic (TAPCO)
	Optional	Steel Stainless Steel

### COMPATIBILITY

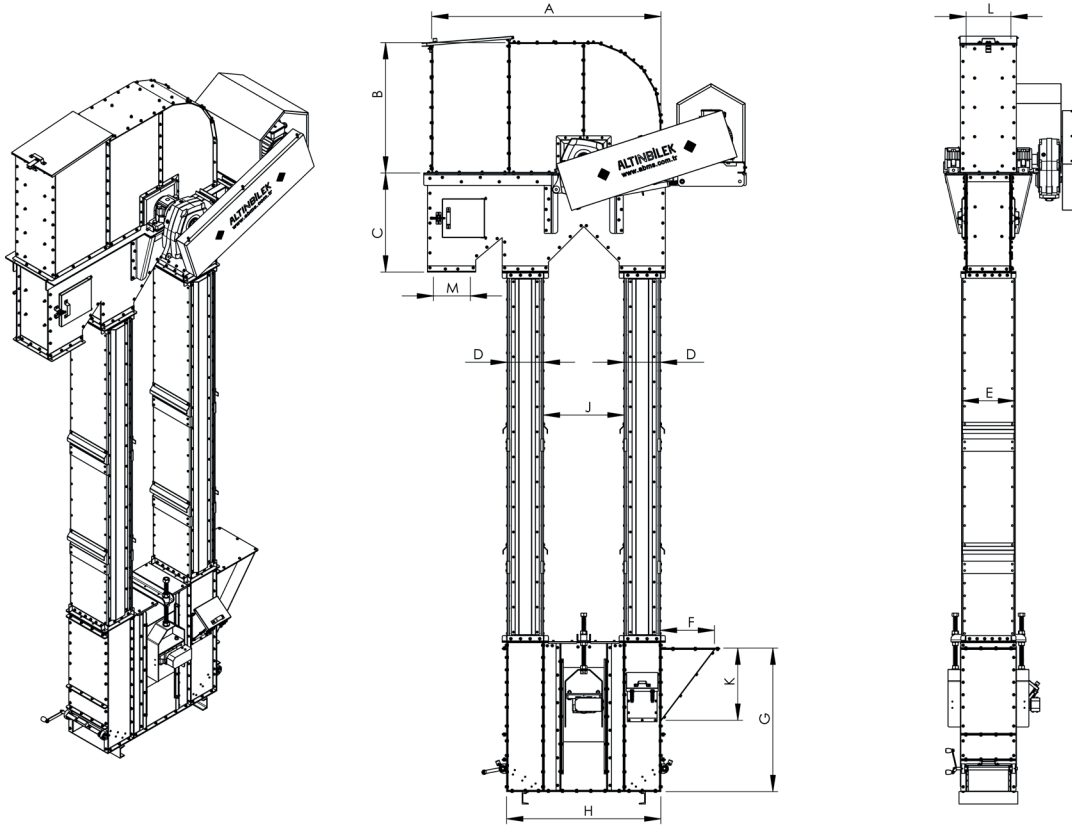
ATEX	Standard	Out of Zone
	Optional	Zone 22 - 21

NOTE: ATEX compatibility requires special requirements.



## BUCKET ELEVATOR E300-350-400

## E300-350-400



MODEL	A(mm)	B(mm)	C(mm)	D(mm)	E(mm)	F(mm)	G(mm)	H(mm)	J(mm)	K(mm)	L(mm)	M(mm)
E300	2765	1235	1185	360	620	695	1795	1650	920	930	540	452x520
E350	2765	1235	1185	360	670	695	1795	1650	920	930	595	452x570
E400	2765	1235	1185	360	720	695	1795	1650	920	930	645	452x620

Designs and dimensions are subject to change without notice.